

Product information

Top-operated centre-pivot pine roof window GLL 1055



Product description

- High quality natural pinewood coated with impregnation and layers of clear water-based acrylic lacquer
- Top control bar for easy operation even with furniture under the window
- Integrated ventilation in top control bar and cleanable dust and insect filter
- Maintenance-free exterior covers

Roof pitch

- Can be installed in roof pitches between 15° and 90°

Materials

- Laminated pinewood
- Laminated inner glass, class P2A/class 1B1
- Toughened outer glass
- Lacquered aluminium
- VELUX ThermoTechnology™ insulation

Downloads

For installation instructions, CAD drawings, 3D BIM objects, 3D GDL objects etc, please visit velux.nn.

Certifications



The VELUX product factories guarantee quality systems implementation process and environmental management systems through appropriate accreditations ISO 9001 and ISO 14001

EUTR In compliance with the EU Timber Regulation (EUTR), EU regulation 995/2010

REACH We are aware of the REACH regulation and acknowledge the obligations. No products are obliged to be registered in accordance to REACH and none of our products contain any Substances of Very High Concern.

Available sizes and daylight area

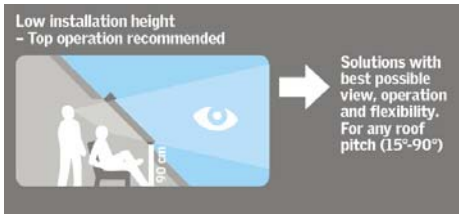
	472 mm	550 mm	660 mm	780 mm	940 mm	1140 mm	1340 mm
780 mm		GLL CK02 (0.22)					
980 mm		GLL CK04 (0.29)	GLL FK04 (0.38)	GLL MK04 (0.47)			
1180 mm			GLL FK06 (0.47)	GLL MK06 (0.59)	GLL PK06 (0.75)	GLL SK06 (0.95)	
1400 mm			GLL FK08 (0.58)	GLL MK08 (0.72)	GLL PK08 (0.92)	GLL SK08 (1.16)	
1600 mm				GLL MK10 (0.85)			

Lining measurements

Size	Width (mm)
CK--	495
FK--	605
MK--	725
PK--	887
SK--	1085

Size	Height (mm)
--02	719
--04	919
--06	1119
--08	1339
--10	1549

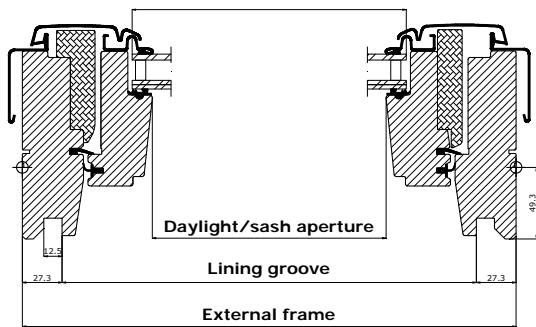
() = Effective daylight area, m²



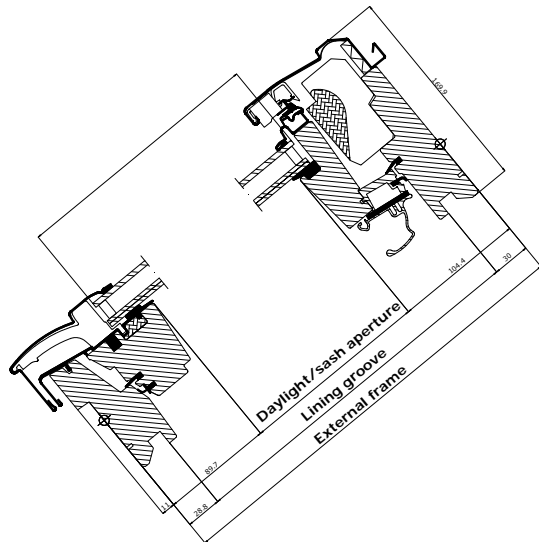
Top-operated centre-pivot roof windows make it possible to place furniture directly below the window without obstructing operation of the window.

Try to allow for a clear view when standing and when seated. Note that the optimum window height depends on the roof pitch.

Width



Height



Technical values	Glazing structure
------------------	-------------------

GLL 1055	--70
U _w [W/m ² K]	1.3
U _g [W/m ² K]	1.1
R _w [dB]	32
g []	0.64
τ _v []	0.79
τ _{uv} []	0.05
Air permeability [class]	4

GLL 1055	--70
Inner glass pane	2 x 3 mm laminated float with low ε coating
Middle glass pane	-
Outer glass pane	4 mm toughened
Cavity	15 mm
Glass panes	Double
Gas filling	Argon

Thermal improvements such as lower U-value (U_w) and lower linear heat loss coefficient (g) can be obtained with frame insulation collar and recessed installation.

Technical values, ventilation through open top control bar					
--	--	--	--	--	--

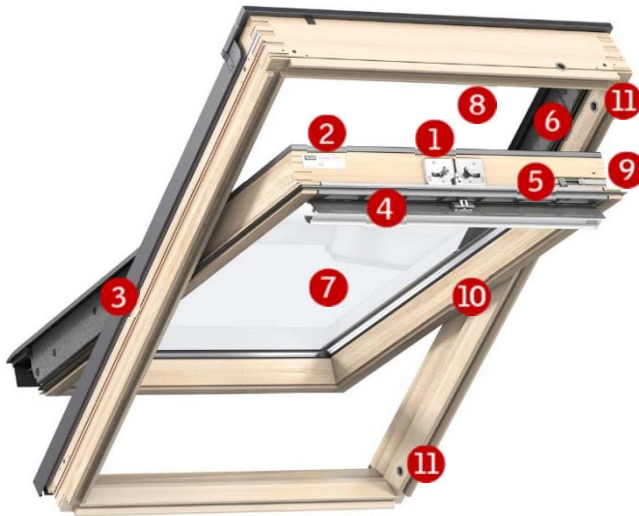
Property	Width				
	CK--	FK--	MK--	PK--	SK--
Air flow characteristics [l/s]	1.9	2.3	2.8	3.4	4.1
Air flow exponent [-]	0.53	0.53	0.53	0.53	0.53
Ventilation capacity at 4 Pa [l/s]	4.0	4.8	5.8	7.1	8.5
Ventilation capacity at 8 Pa [l/s]	5.7	6.9	8.4	10.2	12.3
Ventilation capacity at 10 Pa [l/s]	6.4	7.8	9.5	11.5	13.9
Ventilation capacity at 20 Pa [l/s]	9.3	11.3	13.7	16.6	20.1
Equivalent area, open top control bar [mm ²]	2600	3100	3700	4600	5600
Geometrical free area [mm ²]	2800	3700	4500	6100	7200

Glazing features

		--70
	Heat insulation Low energy glazing provides reduced heat loss through the window and enhanced indoor comfort.	●●
	Solar gain In the wintertime, the heat from the sun entering through the windows is a usable solar gain.	●●●
	Solar protection In warm climates and in rooms with large window areas, a sun protective coating provides a better indoor climate during summer periods. Alternatively, exterior sunscreening can be installed.	
	Sound insulation A combination of laminated glass and optimal glass thickness provides better sound insulation. Frame/sash construction and gaskets are equally important.	●●
	Security Thicker laminated inner glass pane designed to increase resistance to manual attack (burglary). Class P2A, Standard EN 356.	✓
	Energy balance The energy balance represents the ability of the roof window to utilise the passive solar gain and keep in the heat during winter and its ability to protect against the risk of overheating during summer. Sunscreening products can further improve indoor summer comfort.	✓
	Safety Laminated inner glass is designed to hold the fragments together if the glass breaks. We recommend that you consider using glass units with laminated glass on the inside for windows placed above areas where people sleep, play or work. Class 1B1, Standard EN 12600.	✓
	Outside strength Toughened outer glass pane makes your glazing more resistant to hail, heavy wind and snow loads.	✓
	Delayed fading of materials Inner laminated glass protects materials behind the glass against UV radiation and therefore delays fading of the materials.	✓

● Good ●● Better ●●● Best ✓ Feature included in glazing variant

Visible features



1 Lock casing

- electro-galvanised steel
- colour: "silver"



2 Data plate

- window type, size and variant code
- CE marking
- production code
- QR code



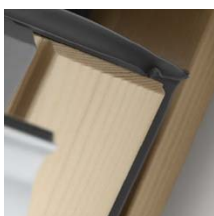
3 Click-on covers

- lacquered aluminium



4 Top control bar with integrated ventilation

- anodised aluminium



5 Sliding gasket

- air permeability class 4



ThermoTechnology™

6 Excellent insulation

- expanded polystyrene
- colour: grey charcoal



7 Laminated pane

- laminated inner glass, class P2A/1B1
- toughened outer glass



8 Dust and insect filter

- cleanable



9 Barrel bolt

- plastic
- colour: grey
- steel
- colour: "silver"



10 Hinges with friction

- electro-galvanised steel
- colour: "silver"



11 Barrel bolt bushings

- plastic
- colour: grey

Cleaning and maintenance



To clean the outer pane from the inside, rotate sash and secure in cleaning position with barrel bolt.



VELUX repair and maintenance kits are available.

Exterior covers

Material	NCS standard colour	RAL nearest standard colour
Lacquered aluminium (-0--) grey	S 7500-N	7043

Interior finish

Clear lacquer	Impregnation and layers of water-based acrylic lacquer
---------------	--

Flashings and installation products



Flashings:

- ED- for single installation
- EB- for twin installation
- EK- for combi installation

Available for both standard and recessed installation

Installation products:

- Installation set BDX 2000
- Underfelt collar BFX 1000 incl transverse drainage gutter
- Vapour barrier collar BBX 0000
- Linings LS-
- Kit for lining LSG 1000

Note

We reserve the right to make technical changes.

For more information on roof window GLL 1055 and other VELUX products, please visit velux.nn.

Blinds, awnings and shutters



Interior sun screening

- Blackout blind
- Roller blind
- Pleated blind
- Flying pleated blind
- Double pleated energy blind
- Venetian blind
- Duo blackout blind



Exterior sun screening

- Awning blind
- Roller shutter



Additional accessories

- Insect roller screen

••• Available in manual and mains/solar powered versions
 •• Available in manual and mains powered versions
 • Available in manual version

The mains and solar powered versions are part of the VELUX INTEGRA® product range.

Control options



VELUX INTEGRA®

- Easy upgrade to remote control with window operator KMG 100K and control system KUX 110



- Telescopic rod